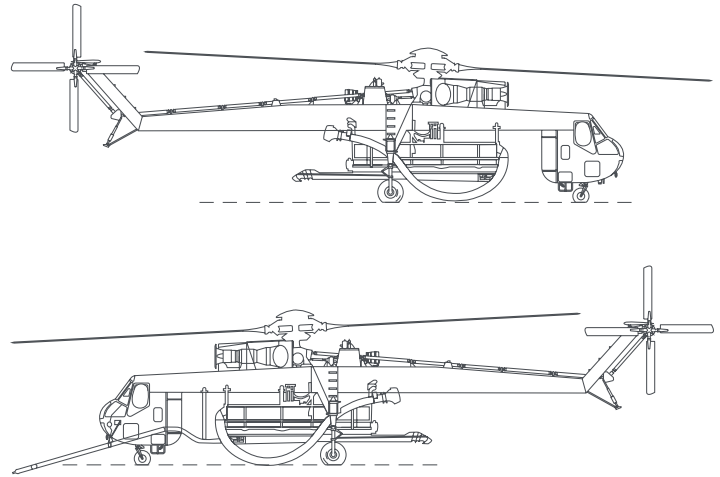
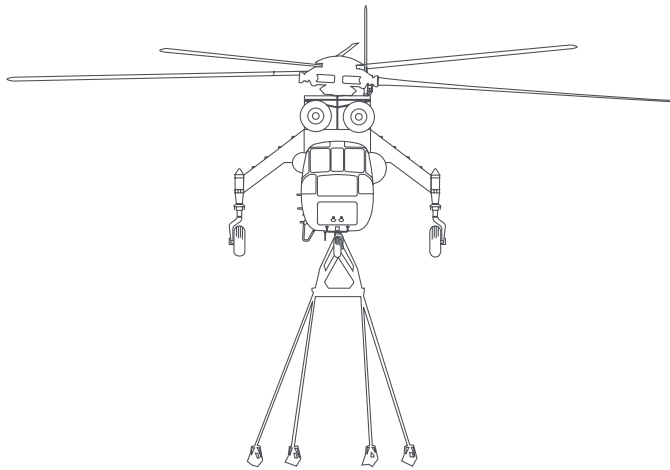




# S-64 TECHNICAL AND PERFORMANCE INFORMATION

## S-64E



### POWER PLANT (2 PRATT AND WHITNEY JFTD12-4A)

Maximum Power Available	9,000 SHP
Single Engine Limit	4,500 SHP / 30 min. <i>*Gearbox limit is 4,050</i>

### GENERAL

Maximum Gross Weight	42,000 lbs (19,050 kg)
Maximum Hook Weight	20,000 lbs (9,072 kg)
Maximum Cruise Speed	115 kts (212 km/hr)
Maximum Range	238 nm (20 minute reserve) 258 nm (no reserve)

### FUSELAGE (FUSELAGE IS NOT PRESSURIZED)

Length*	69 ft 8 in (21.20 m)
Width*	7 ft 1 in (2.13 m)
Width Landing Gear	21 ft 10.70 in (6.67 m)

*\*Fuselage only, External Dimensions*

### MAIN ROTOR

Main Rotor Diameter	72 ft 2.85 in (22.7 m)
Disc Area	4,072 sq. ft (378.3 sq. m)

### TAIL ROTOR

Tail Rotor Dimension	16 ft (4.90 m)
Disc Area	201.1 sq. ft (18.7 sq. m)

### LANDING GEAR

Main Gear	Wheeled
Nose Gear	Wheeled
Wheel Base	24 ft 4.32 in (7.43 m)

### AIRCRAFT EQUIPMENT – CONFIGURATION ITEMS

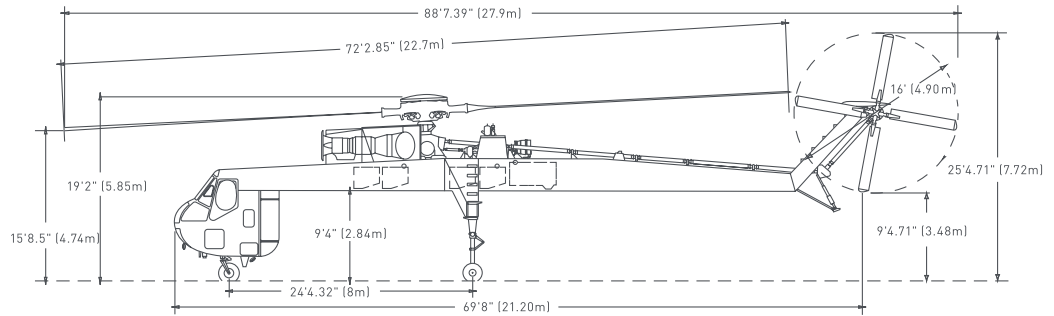
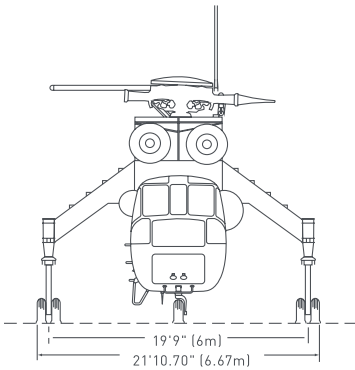
#### AVIONICS

- Global Positioning Satellite (GPS)
- BlueSky Tracker
- Satellite Phone (BlueSky Compatible)
- Emergency Locator Transmitter (ELT)
- VHF Radio Packages
- VHF FM
- Mode S Transponder
- SATCOM Antenna
- Radar Altimeter

#### MISSION-SPECIFIC EQUIPMENT

- Hoists
- Night Vision Goggles (optional)
- Anti-Rotation Device
- Emergency/RON Supply Kits
- FAA Required First Aid/Survival Kits
- Fire Tank
- Foam Cannon
- Sea Snorkel
- Pond Snorkel
- Shock and Pendant
- Hoist
- Grapple
- Cargo Pod

# S-64F



## POWER PLANT (2 PRATT AND WHITNEY JFTD12-4A)

Maximum Power Available 9,600 SHP  
 Single Engine Limit 4,800 SHP / 30 min.

## GENERAL

Maximum Gross Weight 47,000 lbs (21,320 kg)  
 Maximum Hook Weight 25,000 lbs (11,340 kg)  
 Maximum Cruise Speed 104 kts (192 km/hr)  
 Maximum Range 226 nm (20 minute reserve)  
 246 nm (no reserve)

## FUSELAGE (FUSELAGE IS NOT PRESSURIZED)

Length\* 69 ft 8 in (21.20 m)  
 Width\* 7 ft 1 in (2.13 m)  
 Width Landing Gear 21 ft 10.70 in (6.67 m)

\*Fuselage only, External Dimensions

## MAIN ROTOR

Main Rotor Diameter 72 ft 2.85 in (22.7 m)  
 Disc Area 4,098.2 sq. ft (380.7 sq. m)

## TAIL ROTOR

Tail Rotor Dimension 16 ft (4.90 m)  
 Disc Area 201.1 sq. ft (18.7 sq. m)

## LANDING GEAR

Main Gear Wheeled  
 Nose Gear Wheeled  
 Wheel Base 24 ft 4.32 in (7.43 m)

## AIRCRAFT EQUIPMENT – CONFIGURATION ITEMS

### AVIONICS

- Global Positioning Satellite (GPS)
- BlueSky Tracker
- Satellite Phone (BlueSky Compatible)
- Emergency Locator Transmitter (ELT)
- VHF Radio Packages
- VHF FM
- Mode S Transponder
- SATCOM Antenna
- Radar Altimeter

### MISSION-SPECIFIC EQUIPMENT

- Hoists
- Night Vision Goggles (optional)
- Anti-Rotation Device
- Emergency/RON Supply Kits
- FAA Required First Aid/Survival Kits
- Fire Tank
- Foam Cannon
- Sea Snorkel
- Pond Snorkel
- Shock and Pendant
- Hoist
- Grapple
- Cargo Pod

[ERICKSONINC.COM](http://ERICKSONINC.COM)

+1 503.505.5800

5550 S Macadam Avenue, Suite 200 | Portland, OR 97239, USA

