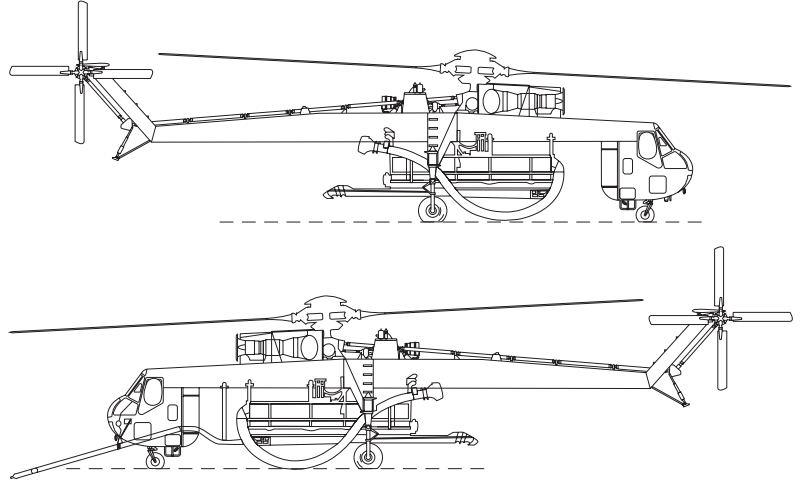
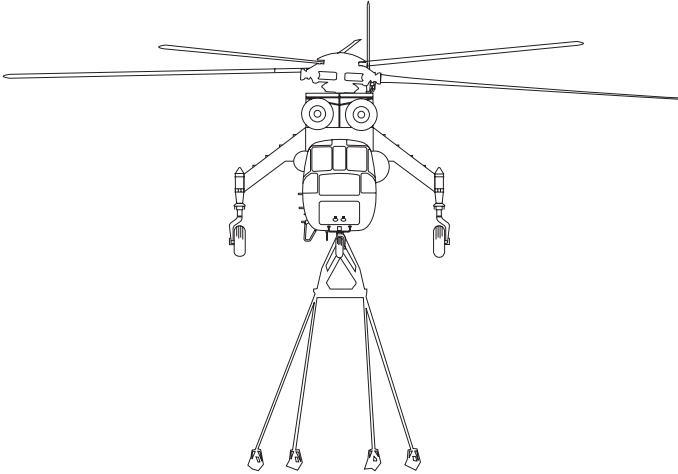




S 6 4

TECHNICAL AND PERFORMANCE INFORMATION

S64E



POWER PLANT (2 PRATT AND WHITNEY JFTD12A-5A)

Maximum Power Available	9,000 SHP
Single Engine Limit	4,500 SHP / 30 min.
	*Gearbox limit is 4,050

GENERAL

Maximum Gross Weight	42,000 lbs (19,050 kg)
Maximum Hook Weight	20,000 lbs (9,072 kg)
Maximum Cruise Speed	100 kts (212 km / hr)
Maximum Range	238 nm (20 minute reserve) 258 nm (no reserve)

FUSELAGE (FUSELAGE IS NOT PRESSURIZED)

Length*	69 ft 8 in (21.20 m)
Width*	7 ft 1 in (2.13 m)
Width Landing Gear	21 ft 10.70 in (6.67 m)

*Fuselage only, External Dimensions

MAIN ROTOR

Main Rotor Diameter	72 ft 2.85 in (22.7 m)
Disc Area	4072 sq. ft (378.3 sq. m)

TAIL ROTOR

Tail Rotor Dimension	16 ft (4.90 m)
Disc Area	201.1 sq. ft (18.7 sq. m)

LANDING GEAR

Main Gear	Wheeled
Nose Gear	Wheeled
Wheel Base	24 ft 4.32 in (7.43 m)

AIRCRAFT EQUIPMENT - CONFIGURATION ITEMS

AVIONICS

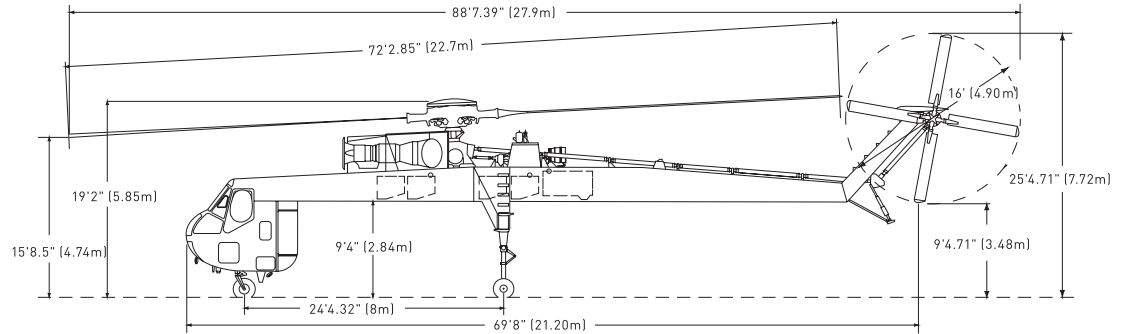
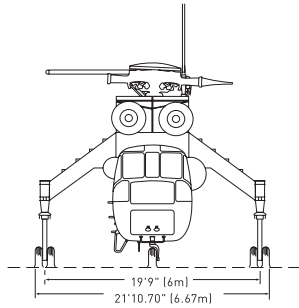
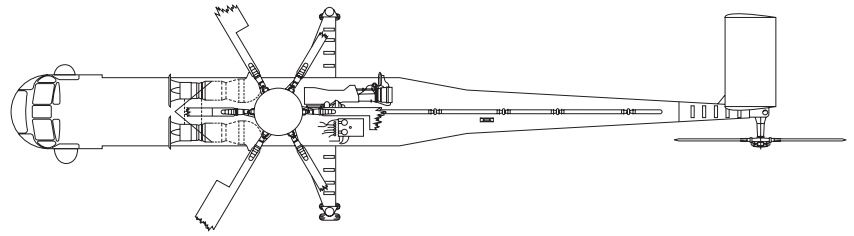
- Global Positioning Satellite (GPS)
- BlueSky Tracker
- Satellite Phone (BlueSky Compatible)
- Emergency Locator Transmitter (ELT)
- VHF Radio Packages
- VHF FM
- Mode S Transponder
- SATCOM Antenna

MISSION SPECIFIC EQUIPMENT

- Hoists
- Night Vision Goggles
- Anti-Rotation Device
- Emergency/RON supply kits
- FAA required first aid/survival kits
- Fire tank
- Foam Cannon
- Sea Snorkel
- Pond Snorkel
- Shock and Pendant
- Hoist
- Grapple
- Rescue Basket
- Cargo Pod



S64F



POWER PLANT (2 PRATT AND WHITNEY JFTD12A-5A)

Maximum Power Available 9,600 SHP
 Single Engine Limit 4,800 SHP / 30 min.

GENERAL

Maximum Gross Weight 47,000 lbs (21,320 kg)
 Maximum Hook Weight 25,000 lbs (11,340 kg)
 Maximum Cruise Speed 104 kts (192 km / hr)
 Maximum Range 226 nm (20 minute reserve)
 246 nm (no reserve)

FUSELAGE (FUSELAGE IS NOT PRESSURIZED)

Length* 69 ft 8 in (21.20 m)
 Width* 7 ft 1 in (2.13 m)
 Width Landing Gear 21 ft 10.70 in (6.67 m)

*Fuselage only, External Dimensions

MAIN ROTOR

Main Rotor Diameter 72 ft 2.85 in (22.7 m)
 Disc Area 4098.2 sq. ft (1039.7 sq. m)

TAIL ROTOR

Tail Rotor Dimension 16 ft (4.90 m)
 Disc Area 201.1 sq. ft (18.7 sq. m)

LANDING GEAR

Main Gear Wheeled
 Nose Gear Wheeled
 Wheel Base 24 ft 4.32 in (7.43 m)

AIRCRAFT EQUIPMENT - CONFIGURATION ITEMS

AVIONICS

- Global Positioning Satellite (GPS)
- BlueSky Tracker
- Satellite Phone (BlueSky Compatible)
- Emergency Locator Transmitter (ELT)
- VHF Radio Packages
- VHF FM
- Mode S Transponder
- SATCOM Antenna

MISSION SPECIFIC EQUIPMENT

- Hoists
- Night Vision Goggles
- Anti-Rotation Device
- Emergency/RON supply kits
- FAA required first aid/survival kits
- Fire tank
- Foam Cannon
- Sea Snorkel
- Pond Snorkel
- Shock and Pendant
- Hoist
- Grapple
- Rescue Basket
- Cargo Pod

ERICKSONINC.COM

+1 503.505.5800
 5550 SW MACADAM AVENUE, SUITE 200
 PORTLAND, OR 97239 USA

