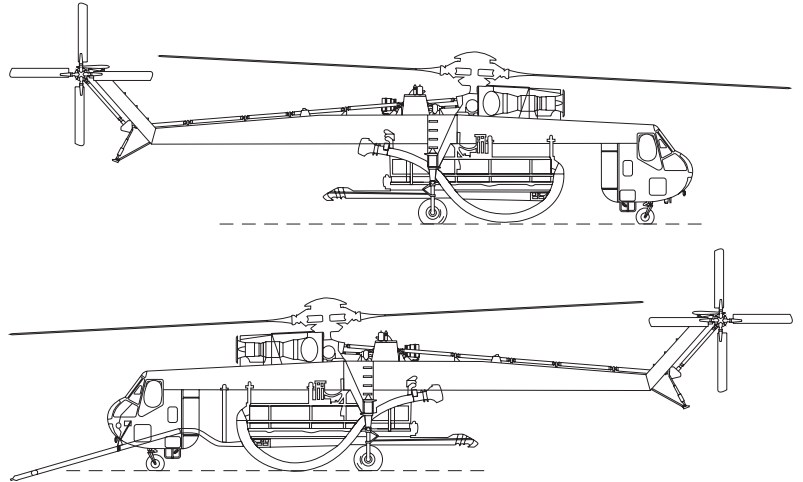
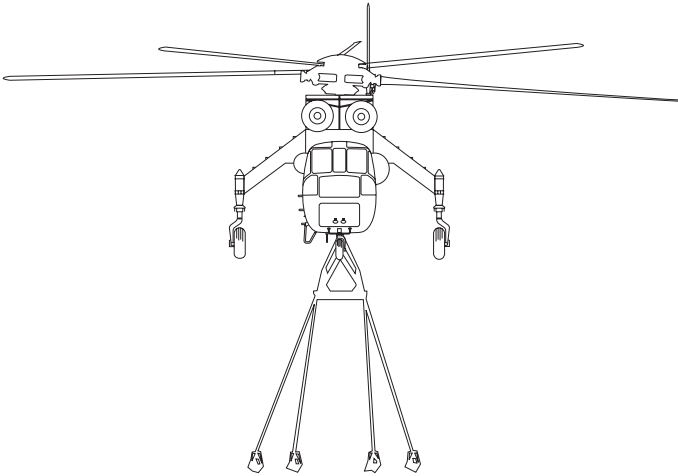




# S 6 4

## TECHNICAL AND PERFORMANCE INFORMATION

### S64E



#### POWER PLANT (2 PRATT AND WHITNEY JFTD12-4A)

Maximum Power Available	9,000 SHP
Single Engine Limit	4,500 SHP / 30 min.
	*Gearbox limit is 4,050

#### GENERAL

Maximum Gross Weight	42,000 lbs (19,050 kg)
Maximum Hook Weight	20,000 lbs (9,072 kg)
Maximum Cruise Speed	100 kts (212 km / hr)
Maximum Range	238 nm (20 minute reserve) 258 nm (no reserve)

#### FUSELAGE (FUSELAGE IS NOT PRESSURIZED)

Length*	69 ft 8 in (21.20 m)
Width*	7 ft 1 in (2.13 m)
Width Landing Gear	21 ft 10.70 in (6.67 m)

\*Fuselage only, External Dimensions

#### MAIN ROTOR

Main Rotor Diameter	72 ft 2.85 in (22.7 m)
Disc Area	4072 sq. ft (378.3 sq. m)

#### TAIL ROTOR

Tail Rotor Dimension	16 ft (4.90 m)
Disc Area	201.1 sq. ft (18.7 sq. m)

#### LANDING GEAR

Main Gear	Wheeled
Nose Gear	Wheeled
Wheel Base	24 ft 4.32 in (7.43 m)

#### AIRCRAFT EQUIPMENT – CONFIGURATION ITEMS

##### AVIONICS

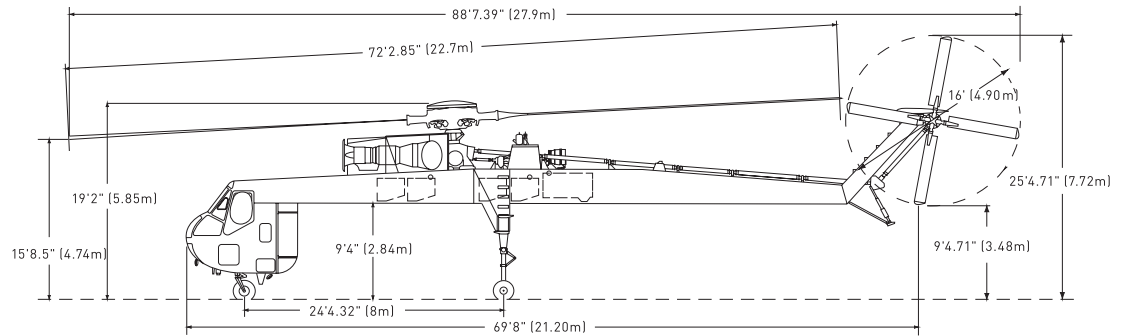
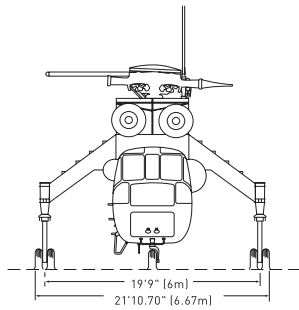
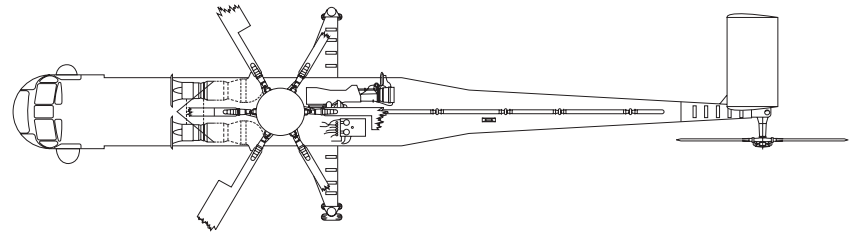
- Global Positioning Satellite (GPS)
- BlueSky Tracker
- Satellite Phone (BlueSky Compatible)
- Emergency Locator Transmitter (ELT)
- VHF Radio Packages
- VHF FM
- Mode S Transponder
- SATCOM Antenna

##### MISSION SPECIFIC EQUIPMENT

- Hoists
- Night Vision Goggles
- Anti-Rotation Device
- Emergency/RON supply kits
- FAA required first aid/survival kits
- Fire tank
- Foam Cannon
- Sea Snorkel
- Pond Snorkel
- Shock and Pendant
- Hoist
- Grapple
- Rescue Basket
- Cargo Pod



## S64F



### POWER PLANT (2 PRATT AND WHITNEY JFTD12A-5A)

Maximum Power Available 9,600 SHP  
 Single Engine Limit 4,800 SHP / 30 min.

### GENERAL

Maximum Gross Weight 47,000 lbs (21,320 kg)  
 Maximum Hook Weight 25,000 lbs (11,340 kg)  
 Maximum Cruise Speed 104 kts (192 km / hr)  
 Maximum Range 226 nm (20 minute reserve)  
 246 nm (no reserve)

### FUSELAGE (FUSELAGE IS NOT PRESSURIZED)

Length\* 69 ft 8 in (21.20 m)  
 Width\* 7 ft 1 in (2.13 m)  
 Width Landing Gear 21 ft 10.70 in (6.67 m)

\*Fuselage only, External Dimensions

### MAIN ROTOR

Main Rotor Diameter 72 ft 2.85 in (22.7 m)  
 Disc Area 4098.2 sq. ft (1039.7 sq. m)

### TAIL ROTOR

Tail Rotor Dimension 16 ft (4.90 m)  
 Disc Area 201.1 sq. ft (18.7 sq. m)

### LANDING GEAR

Main Gear Wheeled  
 Nose Gear Wheeled  
 Wheel Base 24 ft 4.32 in (7.43 m)

### AIRCRAFT EQUIPMENT – CONFIGURATION ITEMS

#### AVIONICS

- Global Positioning Satellite (GPS)
- BlueSky Tracker
- Satellite Phone (BlueSky Compatible)
- Emergency Locator Transmitter (ELT)
- VHF Radio Packages
- VHF FM
- Mode S Transponder
- SATCOM Antenna

#### MISSION SPECIFIC EQUIPMENT

- Hoists
- Night Vision Goggles
- Anti-Rotation Device
- Emergency/RON supply kits
- FAA required first aid/survival kits
- Fire tank
- Foam Cannon
- Sea Snorkel
- Pond Snorkel
- Shock and Pendant
- Hoist
- Grapple
- Rescue Basket
- Cargo Pod

ERICKSONINC.COM

+1 503.505.5800  
 5550 SW MACADAM AVENUE, SUITE 200  
 PORTLAND, OR 97239 USA

